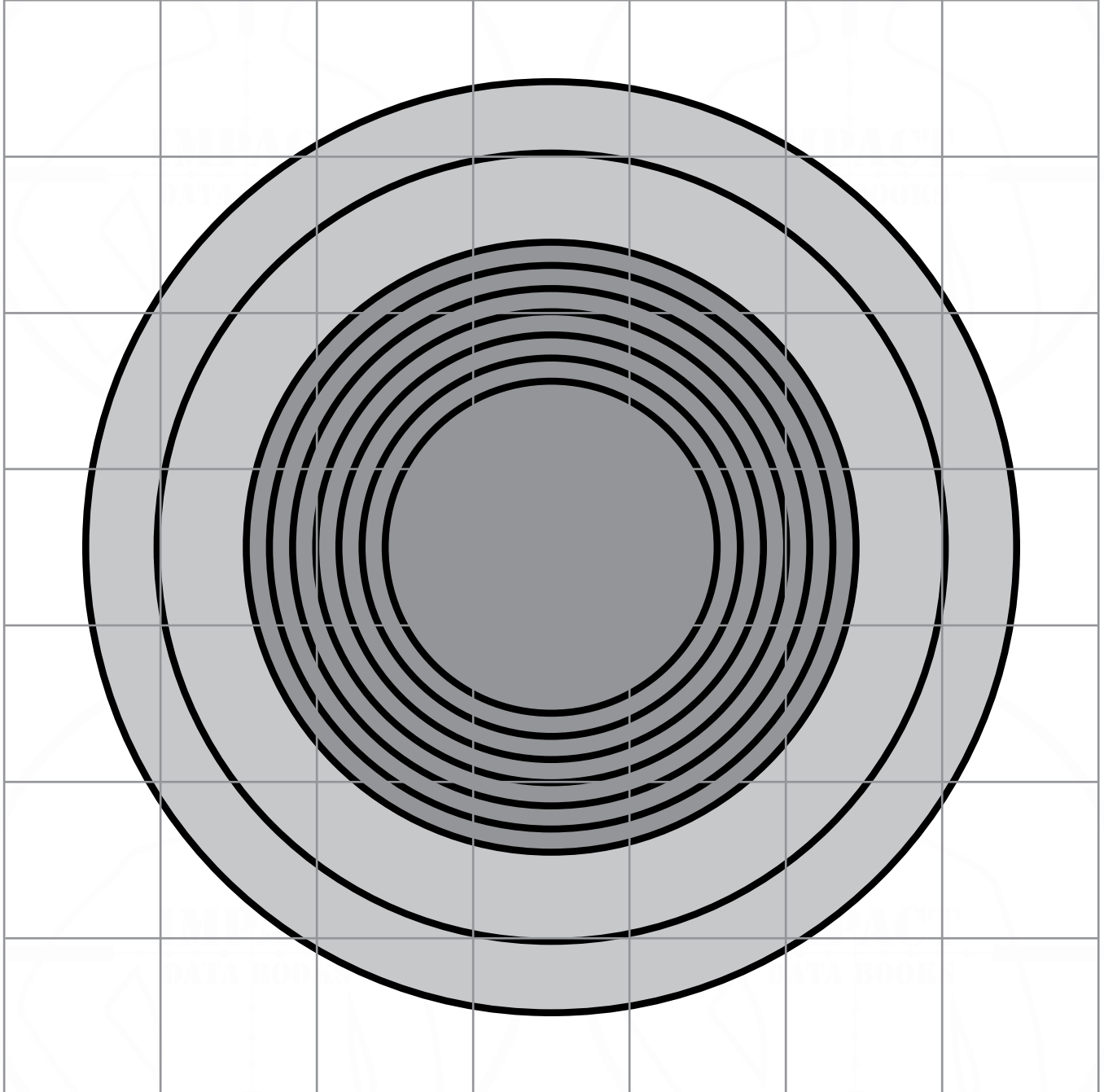


6"

TARGET USED IN CONJUNCTION WITH IMPACT DATA BOOK PAGE: **M-CP**



© IMPACT DATA BOOKS, INC.
<http://www.ImpactDataBooks.com>